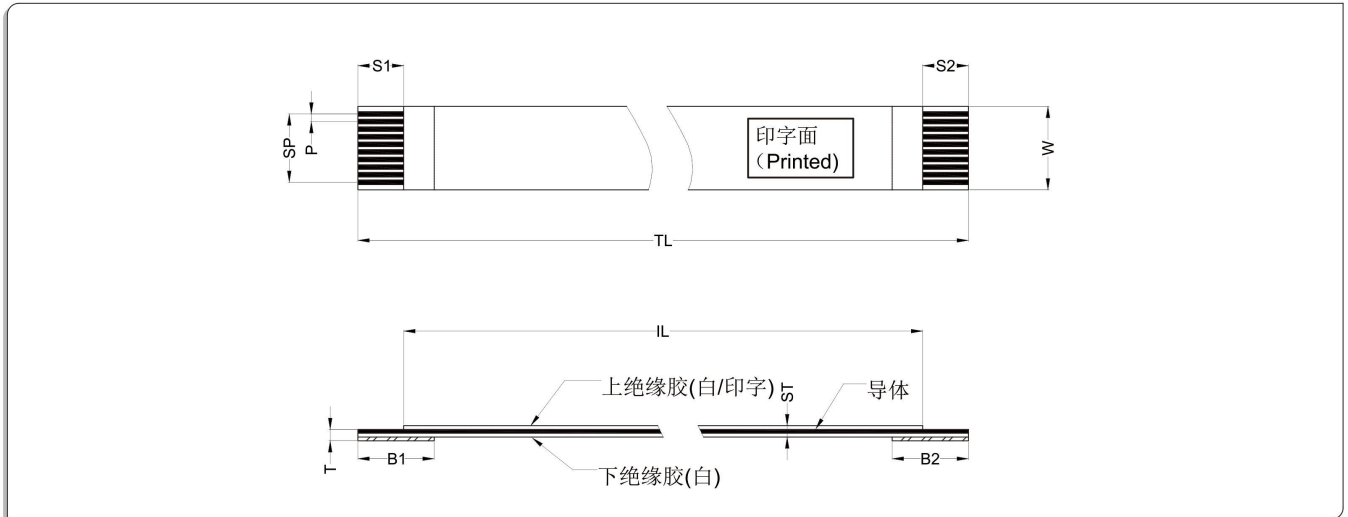
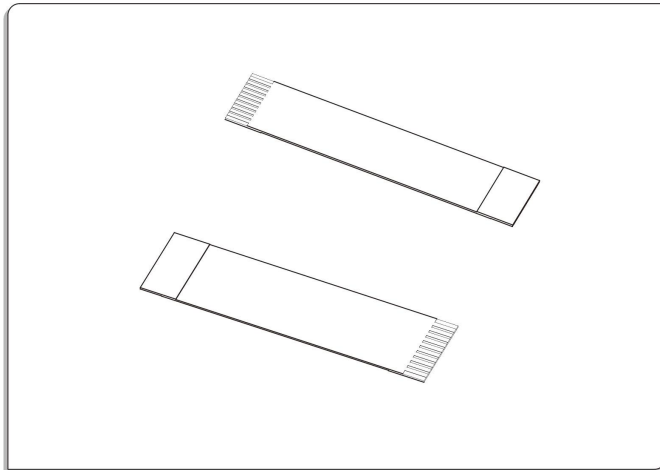


DIMENSION(尺寸)	
NO of conductors(导体数目)	N
Pitch (间距)	P
Span (总间距)	SP
Width (宽度)	W
Margin (边距)	M
	/
Total length(总长)	TL
Insulator length(绝缘胶长)	IL
Insert Thickness(插接端厚度)	T
Surface Thickness(线身厚度)	ST
Strip Length (裸铜长度)	S1
	S2
Supporting Tapelength (补强板长度)	B1
	B2

尺寸示意图 Dimensional diagram

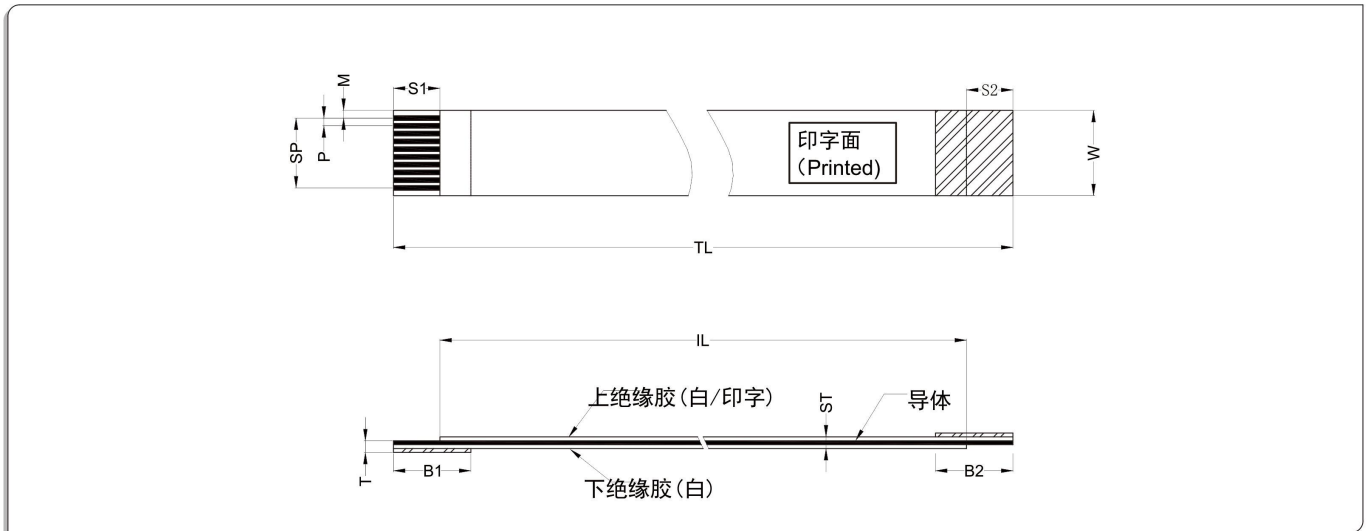


CKT	Part No	SP	W	TL
4	A1.0*04*60	3.00	5.00	60
5	A1.0*05*60	4.00	6.00	60
6	A1.0*06*60	5.00	7.00	60
7	A1.0*07*60	6.00	8.00	60
8	A1.0*08*60	7.00	9.00	60
9	A1.0*09*60	8.00	10.00	60
10	A1.0*10*60	9.00	11.00	60
11	A1.0*11*100	10.00	12.00	100
12	A1.0*12*100	11.00	13.00	100
13	A1.0*13*100	12.00	14.00	100
--	-- --	--	--	--

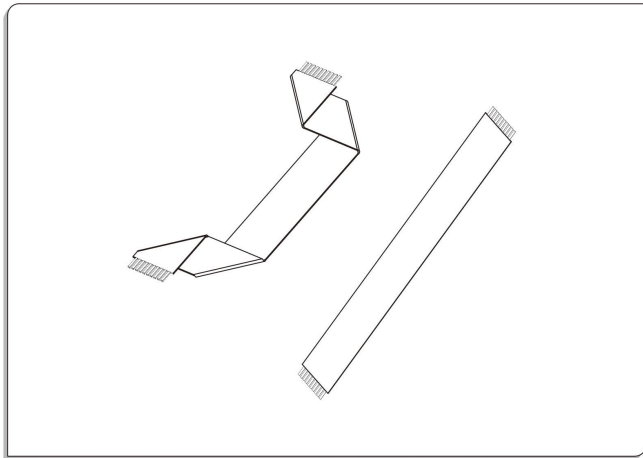


DIMENSION(尺寸)	
NO of conductors(导体数目)	N
Pitch (间距)	P
Span (总间距)	SP
Width (宽度)	W
Margin (边距)	M
	/
Total length(总长)	TL
Insulator length(绝缘胶长)	IL
Insert Thickness(插接端厚度)	T
Surface Thickness(线身厚度)	ST
Strip Length (裸铜长度)	S1
	S2
Supporting Tap length (补强板长度)	B1
	B2

尺寸示意图 Dimensional diagram

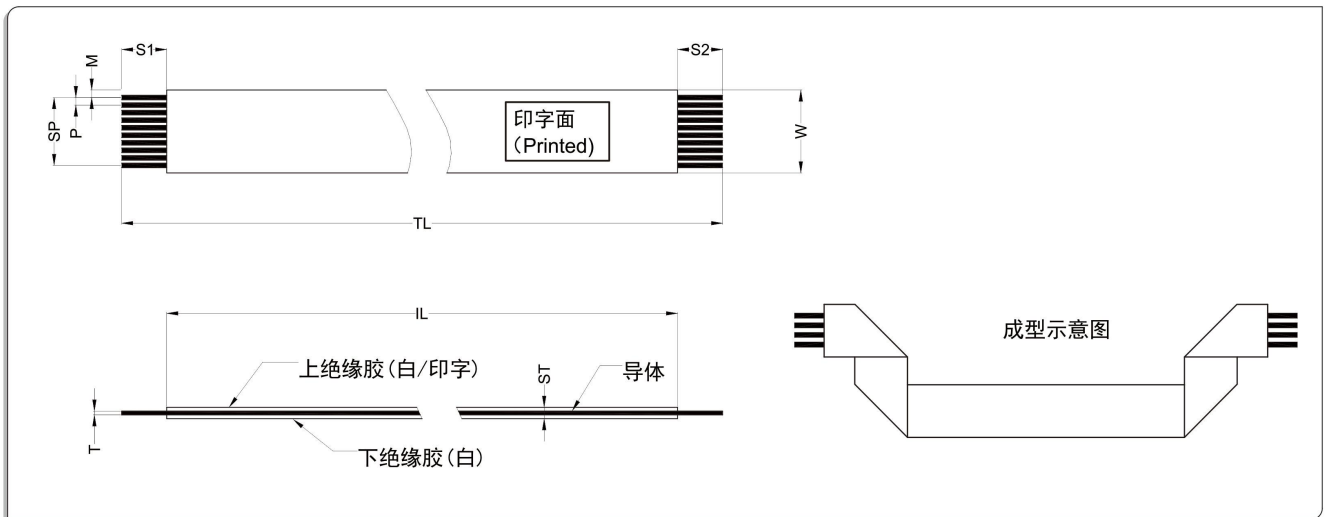


CKT	Part No	SP	W	TL
4	B1.0*04*50	3.00	5.00	50
5	B1.0*05*50	4.00	6.00	50
6	B1.0*06*50	5.00	7.00	50
7	B1.0*07*50	6.00	8.00	50
8	B1.0*08*50	7.00	9.00	50
9	B1.0*09*50	8.00	10.00	50
10	B1.0*10*50	9.00	11.00	50
11	B1.0*11*200	10.00	12.00	200
12	B1.0*12*200	11.00	13.00	200
13	B1.0*13*200	12.00	14.00	200
--	-- --	--	--	--

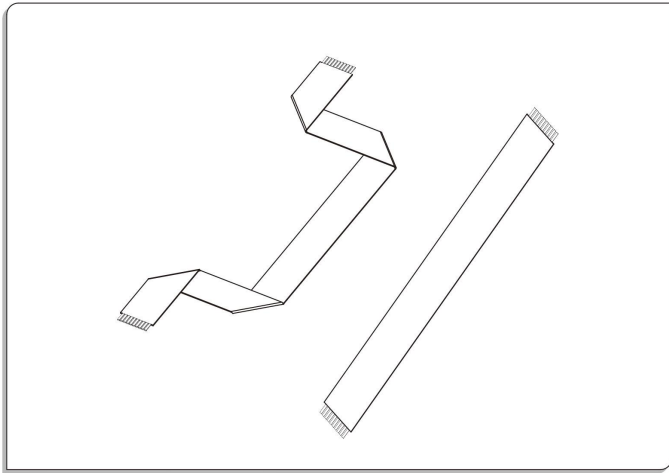


DIMENSION(尺寸)	
NO of conductors(导体数目)	N
Pitch (间距)	P
Span (总间距)	SP
Width (宽度)	W
Margin (边距)	M
	/
Total length(总长)	TL
Insulator length(绝缘胶长)	IL
Conductor Thickness(导体厚度)	T
Surface Thickness(线身厚度)	ST
Strip Length (裸铜长度)	S1
	S2

尺寸示意图 Dimensional diagram

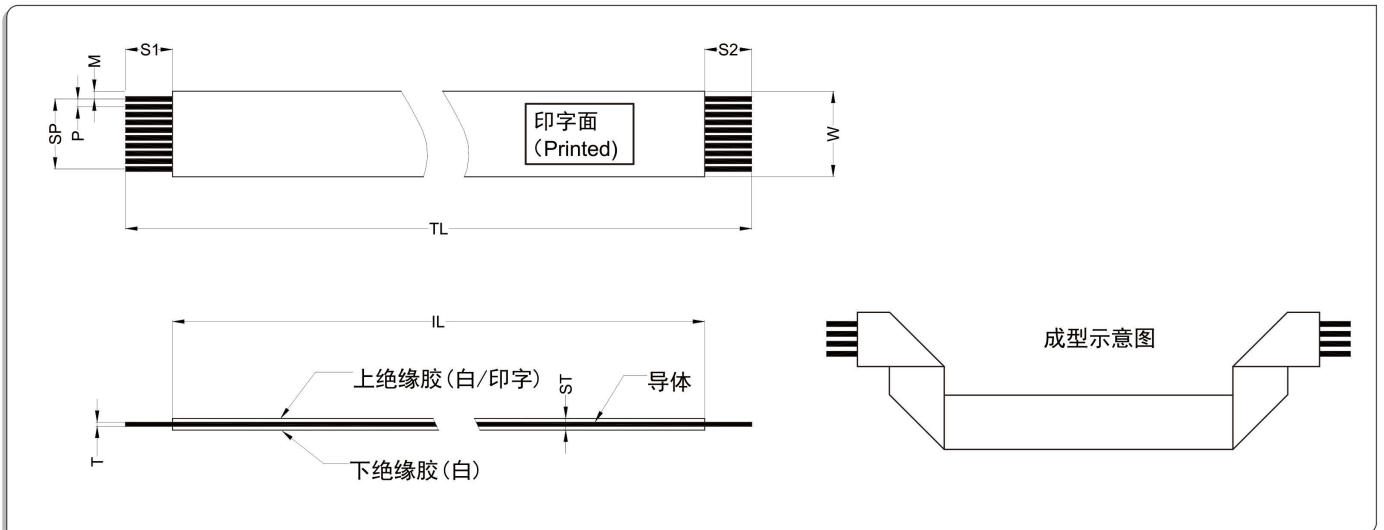


CKT	Part No	SP	W	TL
4	E0.5*04*60	1.50	2.50	60
5	E0.5*05*60	2.00	3.00	60
6	E0.5*06*60	2.50	3.50	60
7	E0.5*07*60	3.00	4.00	60
8	E0.5*08*60	3.50	4.50	60
9	E0.5*09*60	4.00	5.00	60
10	E0.5*10*60	4.50	5.50	60
11	E0.5*11*100	5.00	6.00	100
12	E0.5*12*100	5.50	6.50	100
13	E0.5*13*100	6.00	7.00	100
--	-- --	--	--	--

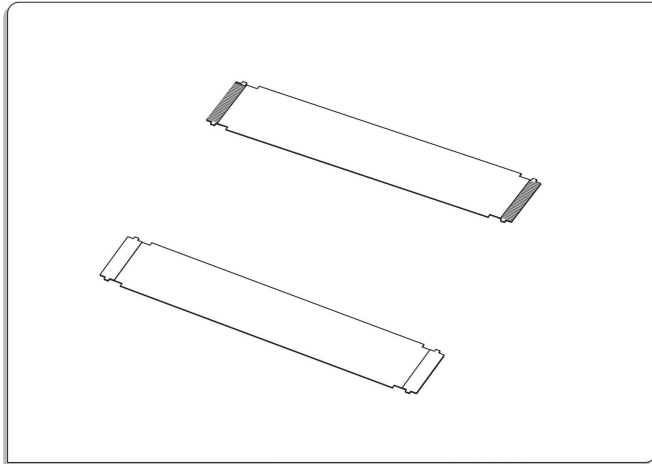


DIMENSION(尺寸)	
NO of conductors(导体数目)	N
Pitch (间距)	P
Span (总间距)	SP
Width (宽度)	W
Margin (边距)	M
	/
Total length(总长)	TL
Insulator length(绝缘胶长)	IL
Conductor Thickness(导体厚度)	T
Surface Thickness(线身厚度)	ST
Strip Length (裸铜长度)	S1
	S2

尺寸示意图 Dimensional diagram

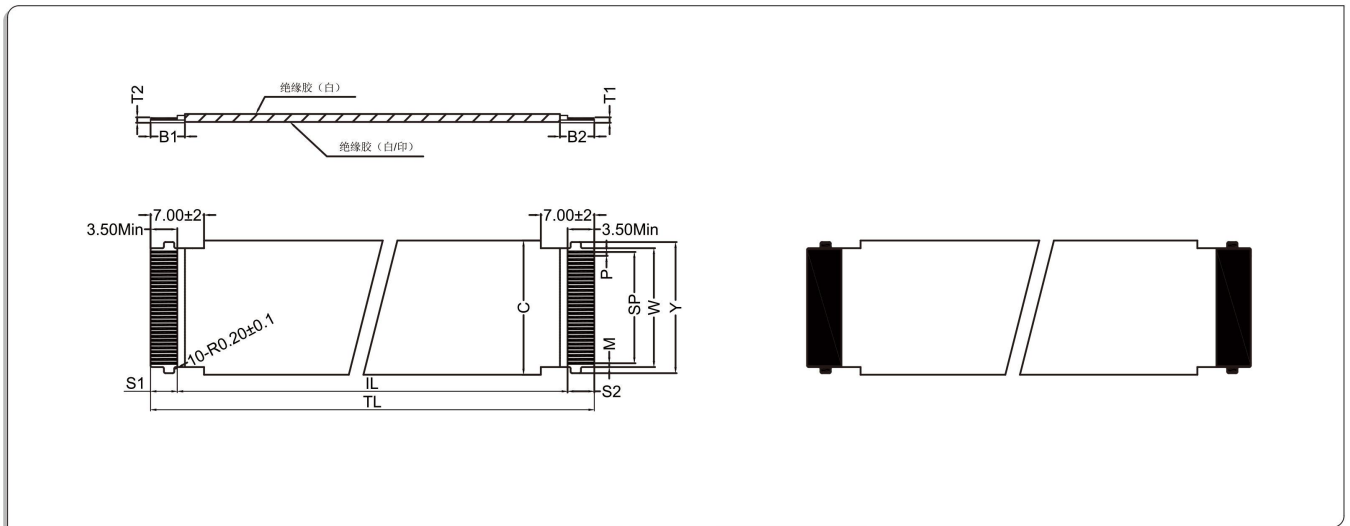


CKT	Part No	SP	W	TL
4	E1.0*04*50	3.00	5.00	50
5	E1.0*05*50	4.00	6.00	50
6	E1.0*06*50	5.00	7.00	50
7	E1.0*07*50	6.00	8.00	50
8	E1.0*08*50	7.00	9.00	50
9	E1.0*09*50	8.00	10.00	50
10	E1.0*10*50	9.00	11.00	50
11	E1.0*11*200	10.00	12.00	200
12	E1.0*12*200	11.00	13.00	200
13	E1.0*13*200	12.00	14.00	200
--	-- --	--	--	--

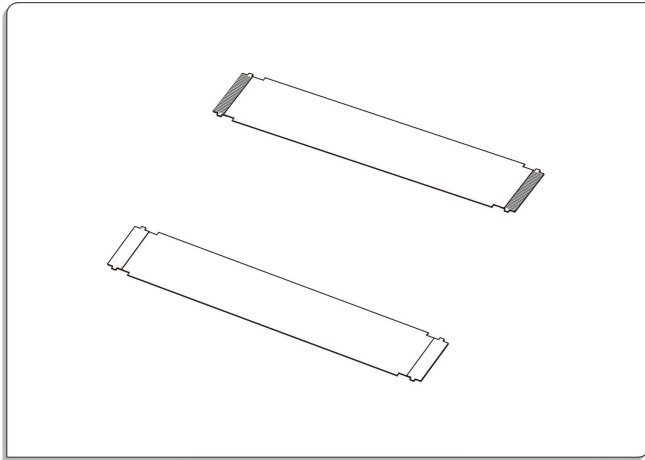


DIMENSION(尺寸)	
NO of conductors(导体数目)	N
Pitch (间距)	P
Span (总间距)	SP
Punched Width(线口宽度)	W
Punched with ear width (带扣宽度)	Y
Cable width(线缆宽度)	C
Margin (边距)	M
	/
Total length(总长)	TL
Insulator length(绝缘胶长)	IL
Conductor Thickness(导体厚度)	T1
	T2
Strip Length(裸铜长度)	S1
	S2
Supporting Tape length (补强板长度)	B1
	B2

尺寸示意图 Dimensional diagram

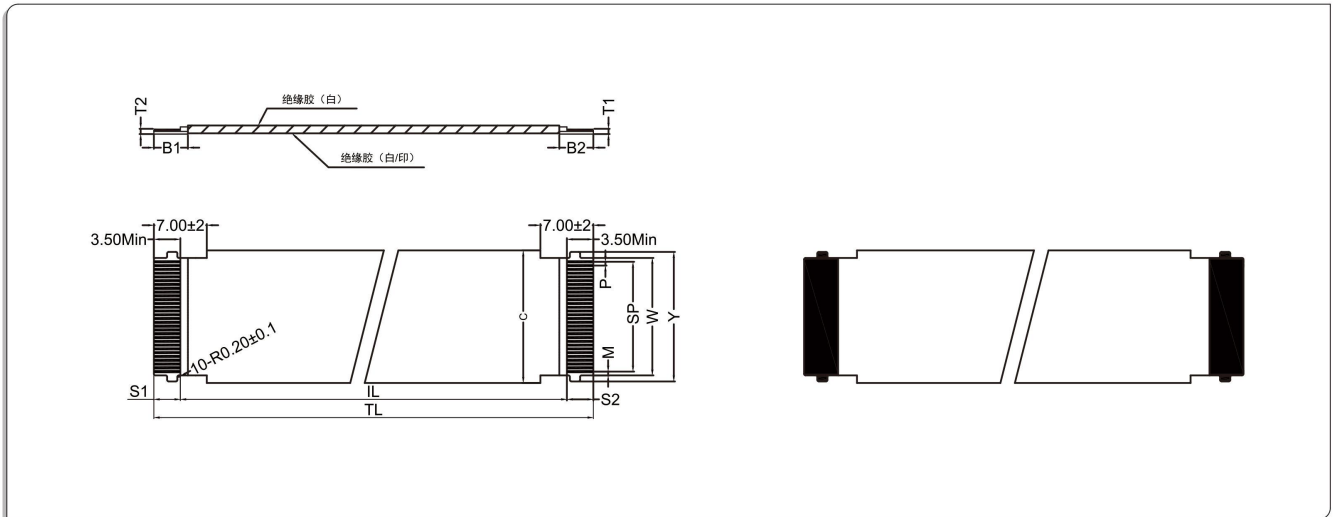


CKT	Part No	SP	W	TL
4	A0.5*04*60	1.50	2.50	60
5	A0.5*05*60	2.00	3.00	60
6	A0.5*06*60	2.50	3.50	60
7	A0.5*07*60	3.00	4.00	60
8	A0.5*08*60	3.50	4.50	60
9	A0.5*09*60	4.00	5.00	60
10	A0.5*10*60	4.50	5.50	60
11	A0.5*11*100	5.00	6.00	100
12	A0.5*12*100	5.50	6.50	100
13	A0.5*13*100	6.00	7.00	100
--	-- --	--	--	--



DIMENSION(尺寸)	
NO of conductors(导体数目)	N
Pitch (间距)	P
Span (总间距)	SP
Punched Width(线口宽度)	W
Punched with ear width (带扣宽度)	Y
Cable width(线缆宽度)	C
Margin (边距)	M
	/
Total length(总长)	TL
Insulator length(绝缘胶长)	IL
Conductor Thickness(导体厚度)	T1
	T2
Strip Length(裸铜长度)	S1
	S2
Supporting Tapedlength (补强板长度)	B1
	B2

尺寸示意图 Dimensional diagram



CKT	Part No	SP	W	TL
4	A1.0*04*50	3.00	5.00	50
5	A1.0*05*50	4.00	6.00	50
6	A1.0*06*50	5.00	7.00	50
7	A1.0*07*50	6.00	8.00	50
8	A1.0*08*50	7.00	9.00	50
9	A1.0*09*50	8.00	10.00	50
10	A1.0*10*50	9.00	11.00	50
11	A1.0*11*200	10.00	12.00	200
12	A1.0*12*200	11.00	13.00	200
13	A1.0*13*200	12.00	14.00	200
--	-- --	--	--	--